

BLH BackLight aluminium

LED backlight



Controller

inside

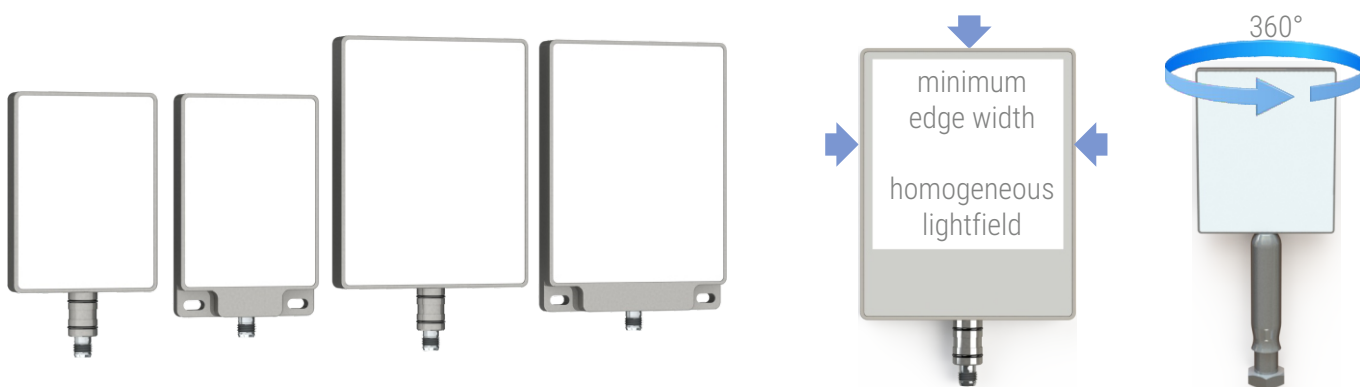
Standard connection M8

DIN EN 61076-2-104

Triggermodus

inside

Compact LED backlight for the highest quality standards in the pharmaceutical industry, medical technology, diagnostics as well as the food and cosmetics industries. The **homogeneous lightfield** provides best results in camera-supported industrial image processing. Minimal energy consumption with optimal illumination.



powerful, durable, compact

brief description

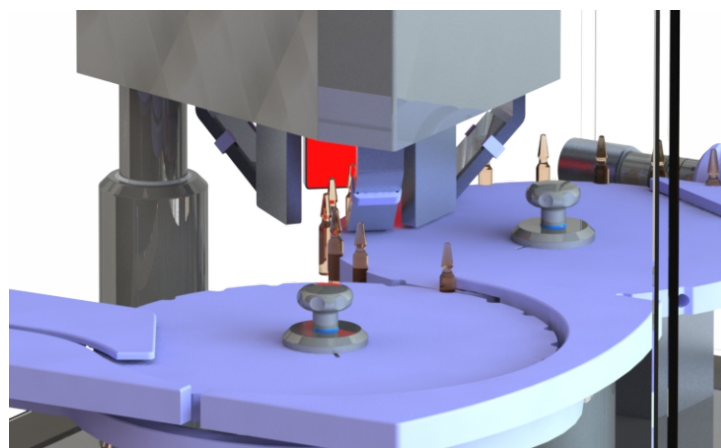
LED backlight with integrated constant current source:

The homogeneous lightfield of the backlight has a great influence on the quality of representation, the productivity and the result of the entire quality assurance system.

Further features of this backlight series are the robust, compact and cleaning-optimised design as well as a high manufacturing quality.

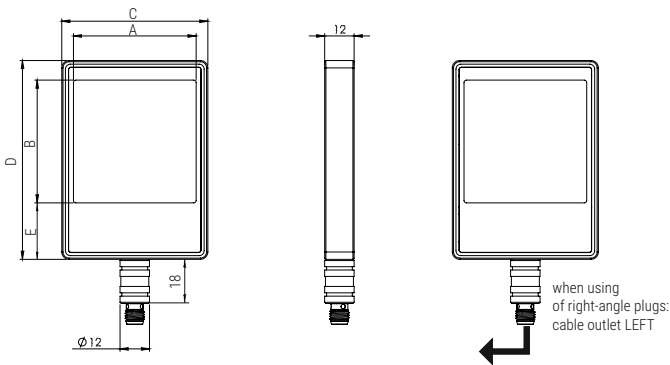
The lightfield size is adjustable for different applications within a modular grid of 25 mm.

Other sizes and versions (e.g. also without integrated controller S1) are available on request.

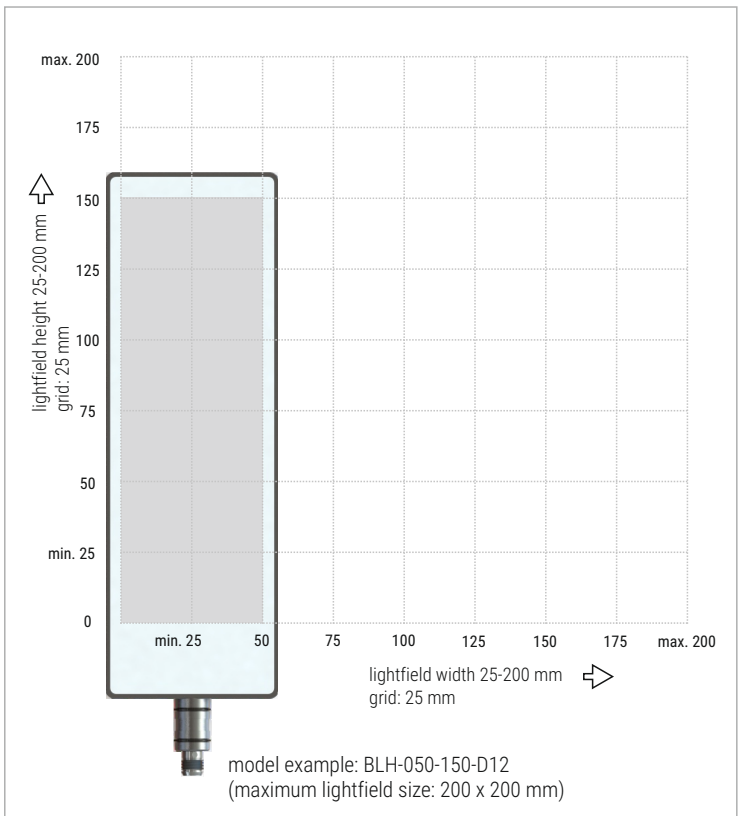
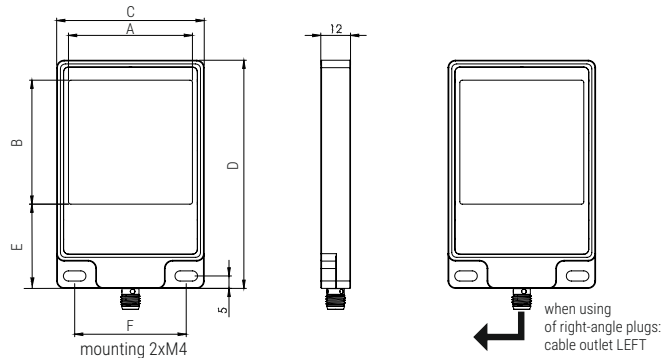


model	controller inside	strobe-modus	lightfield A x B mm	lightfield plate	light colours	housing-material	C mm	D mm	E mm	F mm	weight AL g	current max. continuous light mA	current max. strobe mode mA
BLH-025-025-D12			25 x 25	acrylic glass PMMA diffuse AD	red RT white WS blue BL infrared IR	aluminium anodised natural A10	35	35,5	5		32	depending on the version and light source	
BLH-050-050-D12	●	●	50 x 50				60	80	25,5	105			
BLH-075-075-D12	●	●	75 x 75				85	105	25,5	175			
BLH-100-100-D12	●	●	100 x 100				110	130	25,5	275			
BLH-025-025-LL4			25 x 25	glass diffuse GD			35	46,5	16	23	35		
BLH-050-050-LL4	●	●	50 x 50				60	91	36,5	45	115		
BLH-075-075-LL4	●	●	75 x 75				85	116	36,5	70	195		
BLH-100-100-LL4	●	●	100 x 100				110	141	36,5	95	295		

dimensions D12



dimensions LL4



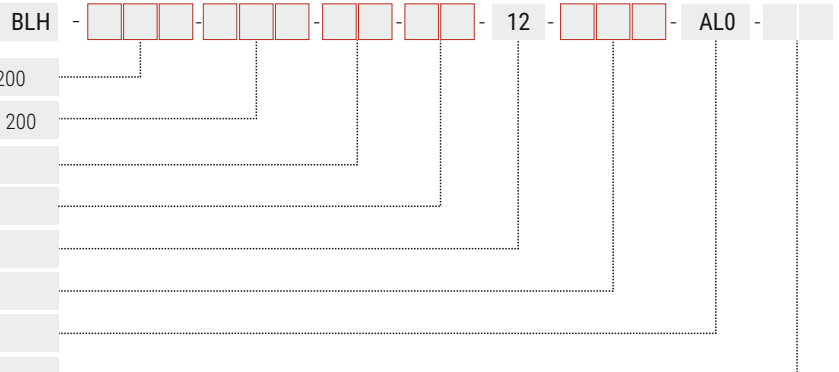
model configurator

- lightfield width A (in mm): 025 / 050 / 075 / 100 / 125 / 150 / 175 / 200
- lightfield height B (in mm): 025 / 050 / 075 / 100 / 125 / 150 / 175 / 200
- lightfield plate: GD (glass diffuse) AD (acrylic glass PMMA diffuse)
- lightcolour: WS (white) RT (red) BL (blue) IR (infrared)
- lighting technology 12 (120°)
- fastening: D12 (adapter D12x18) LL4 (oblong holes for M4 screws)
- housing material: ALO aluminium anodised natural
- special version: S1 (without integrated controller)

standard version: **TEXT red**

model example: BLH-100-100-AD-WS-12-LL4-ALO

subject to change without notice. Further model variants and special solutions on request.



features

- optimised, homogeneous light field
- constant brightness by integrated controller (standard version) or external controller (special version S1)
- strobe mode for higher intensity
- light colour: red (RT) / white (WS) / blue (BL) / infrared (IR)
- anodised aluminium housing (natural)
- lightfield pane acrylic glass (PMMA) diffuse (AD) / glass diffuse (GD)
- mounting adapter D12 x 18 mm (model D12)
- slotted hole mounting M4 (model LL4)

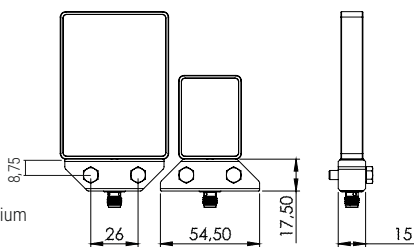
technical data standard version

supply voltage:	24 VDC ($\pm 10\%$)
power continuous operation:	depending on the version and light source
trigger time max (Ti):	10 ms
trigger/pause time (Ti/Tp):	1/10
service life (MTBF):	min. 20.000 h
ambient temperature:	0 °C ... 40 °C
protection class:	IP69K
UL-compliant	



mounting

mounting adapter for D12
54,5 x 17,5 x 15 mm
2xM5 / natural anodised aluminium
STH-ID: 7000 54 60



electrical connections

standard version with controller (constant current source) sensor plug M8 / 4-pole (DIN EN 61076-2-104)

PIN	colour	description
1	brown	supply voltage 24VDC
2	white	operating selection: 0V=continuous operation / +24V=strobe mode
3	blue	0V GND
4	black	trigger signal strobe mode

special version S1 without controller
sensor plug M8 / 4-pole (DIN EN 61076-2-104)

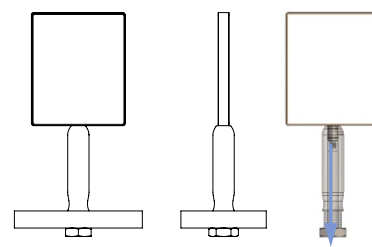
PIN	colour	description
1	brown	supply voltage constant current source e.g. BR01-2A
2	white	N.C.
3	blue	0V GND
4	black	N.C.



version S1 without controller may only be operated with constant current source BR01-2A.

areas of application

- pharmaceutical industry
- medical technology
- diagnostics
- food industry
- cosmetics industry
- packaging industry



BLH mounting, angle adjustable
with cable gland
ETW pharmaceutical mounting D25/M20
L 50 - 250 mm

other mounting systems available as accessories.