

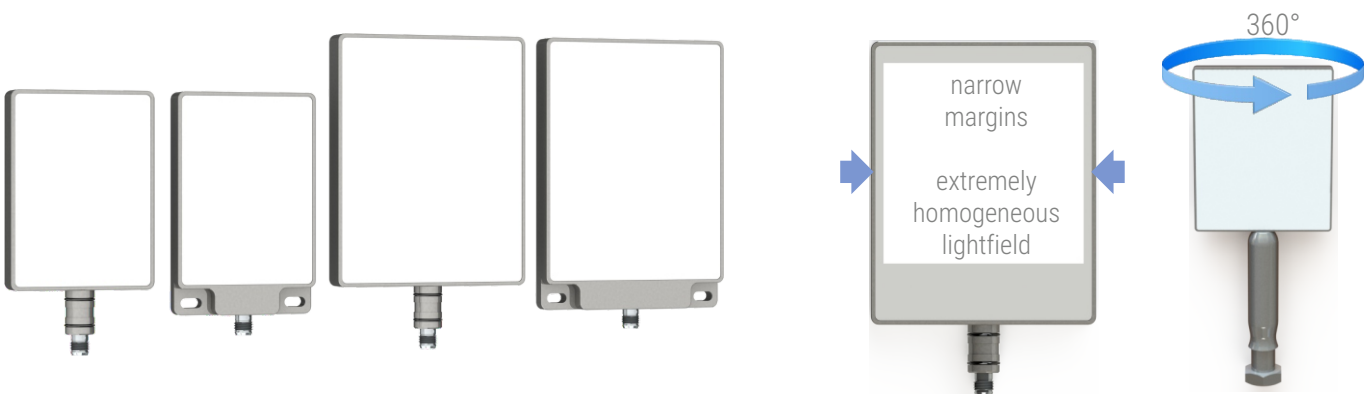
# BLS BackLight stainless steel

LED backlight - incident light illumination



## Controller inside Standard connection M8 Triggermodus inside DIN EN 61076-2-104

Compact LED backlight for the highest quality standards in the pharmaceutical industry, medical technology, diagnostics as well as the food and cosmetics industries. The **extremely homogeneous lightfield** provides best results in camera-supported industrial



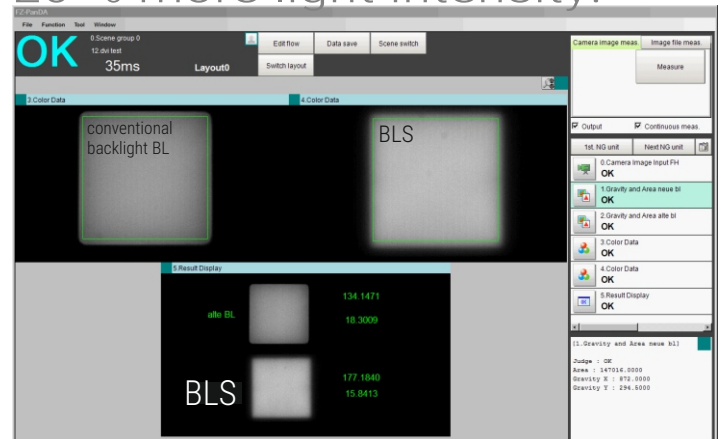
powerful, durable, compact

### brief description

**NEW lighting technology inside - 20% more light intensity\*.**  
LED backlight with integrated constant current source:  
The homogeneous lightfield of the backlight has a great influence on the quality of representation, the productivity and the result of the entire quality assurance system.  
Further features of this backlight series are the robust, compact, cleaning-optimised design as well as a high manufacturing quality. The lightfield size is adjustable for different applications within a module grid of 25 mm.  
Other sizes and versions (e.g. also without integrated controller S1) are available on request.

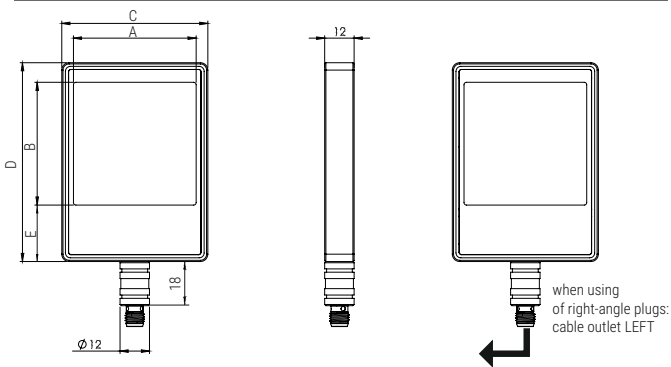
\*except infrared

### 20 % more light intensity!

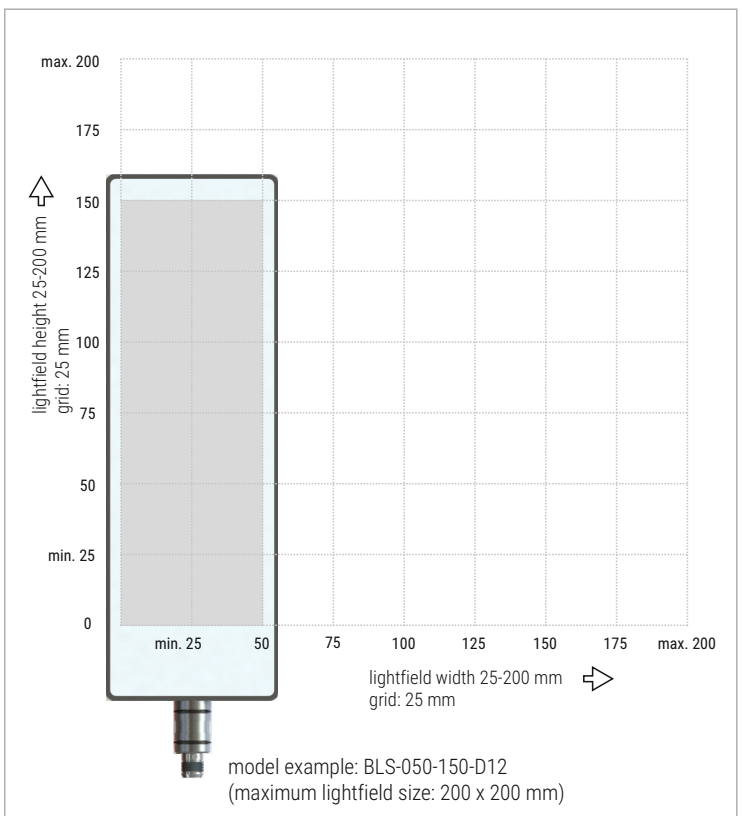
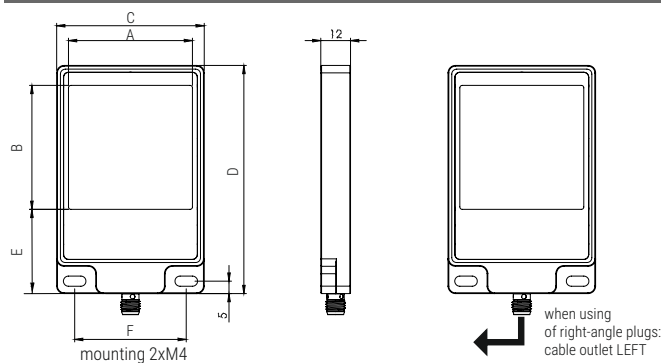


model	controller inside	strobe-modus	lightfield A x B mm	lightfield plate	light colours	housing-material	C mm	D mm	E mm	F mm	weight VA g	current max. continuous light mA	current max. strobe mode mA
BLS-025-025-D12			25 x 25	acrylic glass PMMA diffuse AD	red RT white WS blue BL infrared IR	stainless steel AISI 316L (1.4404) ground K320(Ra1,6) VA0	34,5	46	13		92	depending on the version and light source	
BLS-050-050-D12	●	●	50 x 50				59,5	81	23	260			
BLS-075-075-D12	●	●	75 x 75				84,5	106	23	466			
BLS-100-100-D12	●	●	100 x 100				109,5	131	23	770			
BLS-025-025-LL4			25 x 25	glass diffuse GD			34,5	57	24	23	95		
BLS-050-050-LL4	●	●	50 x 50				59,5	92	34	45	269		
BLS-075-075-LL4	●	●	75 x 75				84,5	117	34	70	486		
BLS-100-100-LL4	●	●	100 x 100				109,5	142	34	95	820		

### dimensions D12



### dimensions LL4

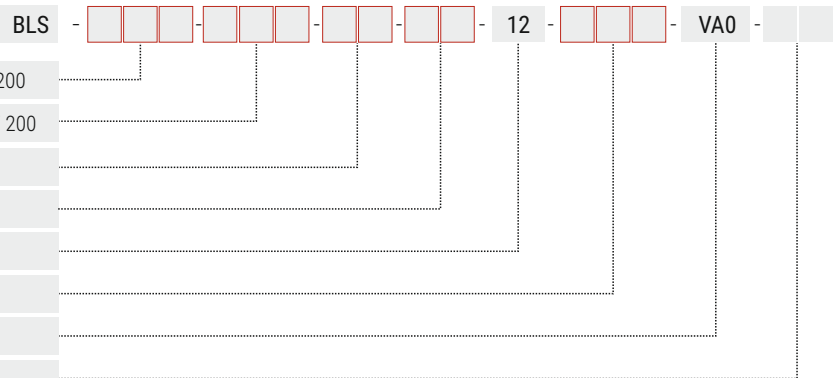


### model configurator

- lightfield width A (in mm): 025 / 050 / 075 / 100 / 125 / 150 / 175 / 200
- lightfield height B (in mm): 025 / 050 / 075 / 100 / 125 / 150 / 175 / 200
- lightfield plate: GD (glass diffuse) AD (acrylic glass PMMA diffuse)
- lightcolour: WS (white) RT (red) BL (blue) IR (infrared)
- lighting technology 12 (120°)
- fastening: D12 (adapter D12x18) LL4 (oblong holes for M4 screws)
- housing material: VA0 stainless steel AISI 316L (1.4404) polished
- special version: S1 (without integrated controller)

standard version: **TEXT red**

model example: BLS-100-100-AD-WS-12-LL4-VA0



subject to change without notice. Further model variants and special solutions on request.

## features

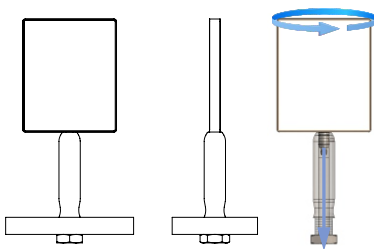
- optimised, homogeneous lightfield
- constant brightness by integrated controller (standard version) or external controller (special version S1)
- strobe mode for higher intensity
- lightcolours: red (RT) / white (WS) / blue (BL) / infrared (IR)
- ground stainless steel housing AISI 316L (1.4404)
- lightfield plate acrylic glass (PMMA) diffuse (AD) / glass diffuse (GD)
- mounting adapter D12 x 18 mm (model D12)
- slotted hole mounting M4 (model LI4)

## technical data standard version

supply voltage:	24 VDC ( $\pm 10\%$ )
power continuous operation:	depending on the version and light source
trigger time max (Ti):	10 ms
trigger/pause time (Ti/Tp):	1/10
service life (MTBF):	min. 20.000 h
ambient temperature:	0 °C ... 40 °C
protection class:	IP69K
UL-compliant	



## mounting



BLS mounting, angle-adjustable, with cable feed-through  
ETW pharmaceutical mounting D25/M20  
L 50 - 250 mm

other mounting systems available as supplies.

## electrical connections

standard version with controller (constant current source) sensor plug M8 / 4-pole (DIN EN 61076-2-104)

PIN	colour	description
1	brown	supply voltage 24VDC
2	white	operating selection: 0V=continuous operation / +24V=strobe mode
3	blue	0V GND
4	black	trigger signal strobe mode

special version S1 without controller  
sensor plug M8 / 4-pole (DIN EN 61076-2-104)

PIN	colour	description
1	brown	supply voltage constant current source e.g. BR01-2A
2	white	N.C.
3	blue	0V GND
4	black	N.C.



version S1 without controller may only be operated with constant current source BR01-2A.

## areas of application

- pharmaceutical industry
- medical technology
- diagnostics
- food industry
- cosmetics industry