

BR01-02A -05A / BR02-08A

lightning controller for LED-lightnings

The new generation....with LCD touch display



compact, versatile, reliable - Made in Germany

brief description

Based on the latest generation of ETW lighting controller it is easier and safer than ever before for users. The maximum permissible current is set according to the connected lighting.

In this way a damage or destruction of the lighting is ruled out from the beginning.

Due to a wide range of self-explanatory setting options via integrated touch display a rapid commissioning is possible.



features

- LCD touch-display (71,7x39,0mm)
- supply voltage via plug connector STAK2
- 1x power output 2x M12 (4-pin)
- input enable: 0V-OFF / 12-24V-ON (invertible)
- input operating mode: 0V continuous operation / 12-24V trigger operation (invertible)
- input trigger signal 12-24V / 1xM8(4-pin) (invertible)
- input GND reference potential
- 1 x variable input
1xM12 (4-pin)
- 1 x variable output
- housing material: aluminum anodized

technical data BR01-02A

supply voltage:	24 VDC
output current continuous:	40mA - 2A (max.Pv:5W)
output current pulse mode:	40mA - 20A
output voltage:	max. 24
inputs / outputs:	24 VDC
ambient temperature:	5°C...40°C
protection class:	Ip54
UL-complaint	

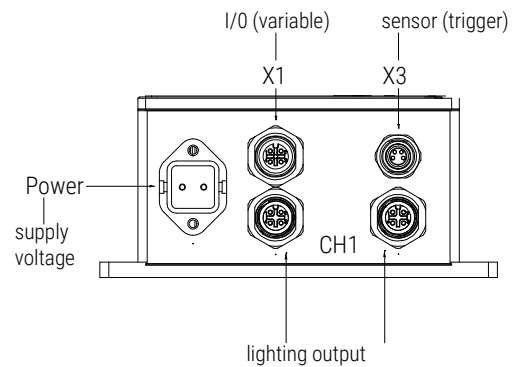
technical data BR01-05A

supply voltage:	24 VDC
output current continuous:	40mA - 5A (max.Pv:15W)
output current pulse mode:	40mA - 20A
output voltage:	max. 24V
inputs / outputs:	24 VDC
ambient temperature:	5°C...40°C
protection class:	IP54
UL-complaint	

technical data BR02-08A

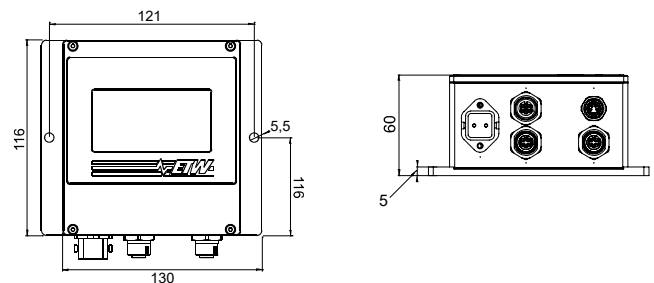
supply voltage:	24 VDC
output current continuous:	40mA - 8A (max.Pv:5W)
output current pulse mode:	40mA - 20A
output voltage:	max. 48V
inputs / outputs:	24 VDC
ambient temperature:	5°C...40°C
protection class:	IP54
UL-complaint	

electrical connections



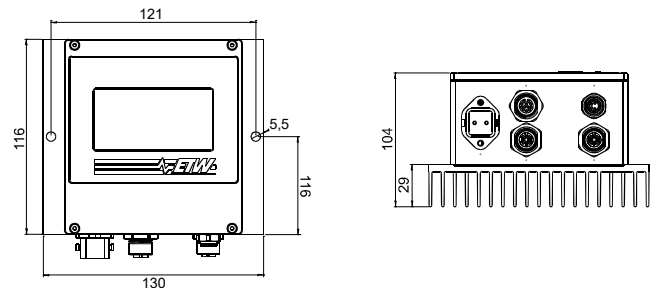
dimensions BR01-02A

weight: 800g



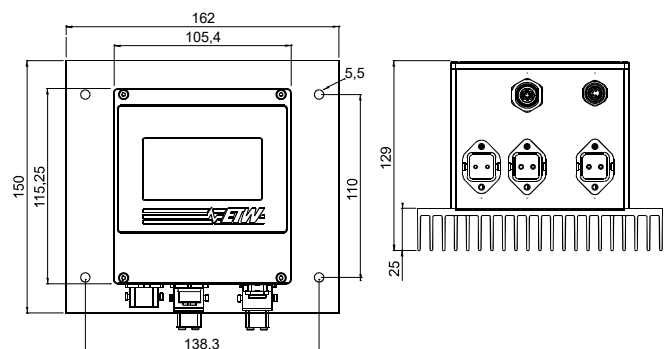
dimensions BR01-05A

weight: 900g



dimensions BR02-08A

weight: 1100g



Subject to change without notice. Other model variants and special solutions on request.

info@etw-technik.de • www.etw-technik.de

DasTechnikTeam.