

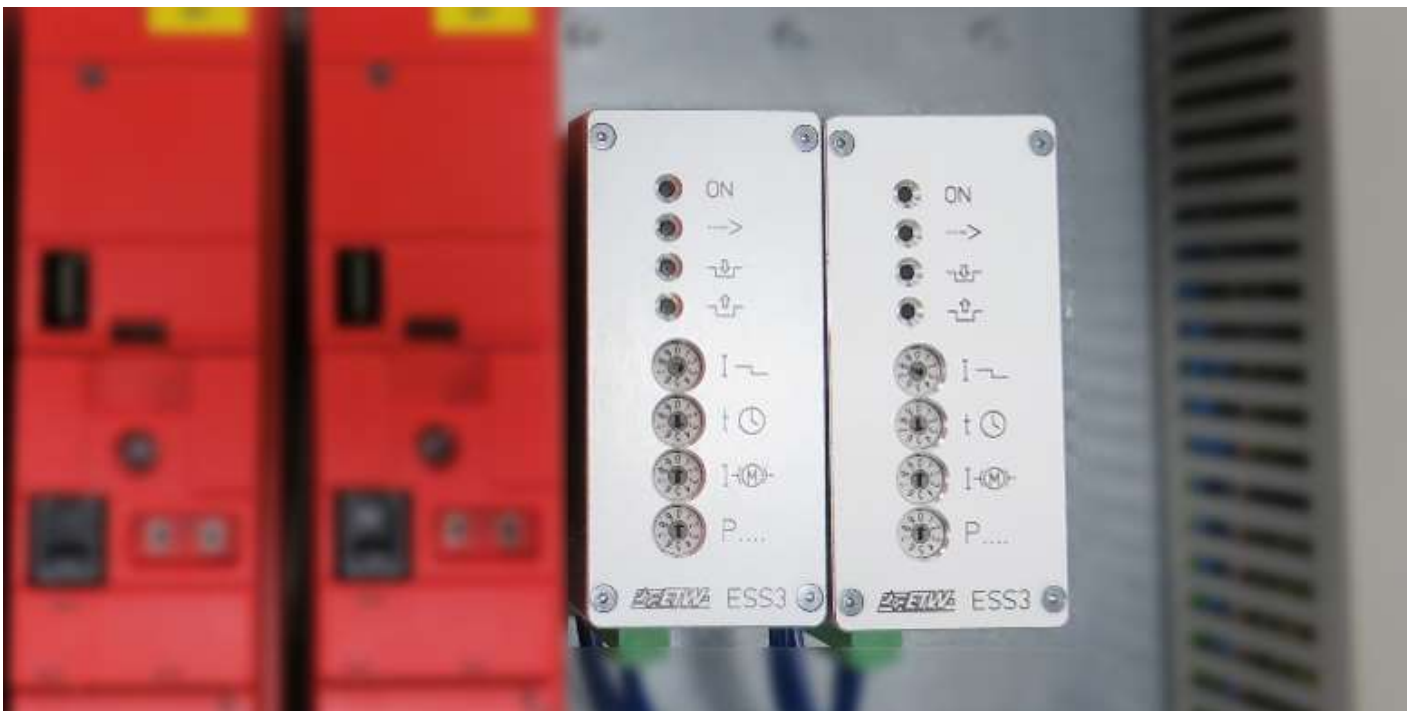
ESS3

Torque -end position controller for 24 volt direct current drive



For controlling permanently energized DC motors for many applications in industry and trade.

The end position switch-off is achieved by torque-dependent rated current cut-off.



compact, multifaceted, reliable

brief description

The devices of the ESS3 series are microprocessor-controlled motor controllers for permanently energized DC motors with 24 volt supply voltage. The torque-dependent switch-off monitoring switches the rated current of the connected drive for holding current after an adjustable delay time has elapsed.

Cut-off and holding current at the end position point can be preset for both directions of rotation.

All operating states are indicated by LEDs and additionally provided at the status outputs.

These devices are applied in, for example, rotary motor and safety shutdowns for positioning, swiveling, lifting or lamping drives, as well as many other applications in industry and trade.



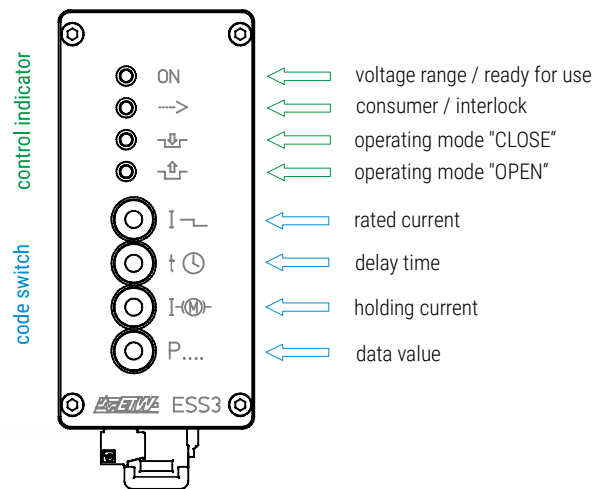
features

- microprocessor controlled DC drive
- soft start feature by turning on the device
- selection from two operating programs possible
- operating status display (LED)
- motor control via PWM signal
- controllable direction of rotation (left/right) via enable input
- switch-off and holding current adjustable in steps
- delay time for current shutdown adjustable in steps
- further control input/output (optionally configurable)
- Saving the end positions via EEPROM
- parameter setting via coding switch
- DIN rail mounting
- anodized aluminum housing

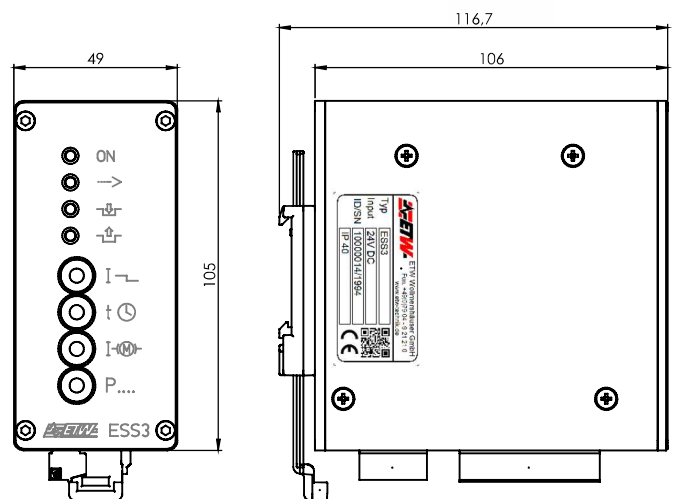
technical data

| | |
|--------------------------------|----------------------------|
| supply voltage: | 24VDC (+-10%) |
| load current per output (max.) | 700 mA |
| load floating contacts: | 250 VAC, bei 1A |
| Rated motor current: | (1...10 A) |
| holding current: | (0...500 mA) |
| delay power shutdown: | (0,1...1sec.) |
| logic level (high/low): | 24 VDC / 0 V |
| ambient temperature: | 5 °C ...40 °C |
| storage temperature: | -10 °C ...50 °C |
| permitted relative humidity: | max. 95 % (not condensing) |
| protection class: | Ip40 |

electrical connections



dimensions



subject to change without notice. Other model variants and special solutions on request.

info@etw-technik.de • www.etw-technik.de

DasTechnikTeam.